

H G F E D C B A

4

3

2

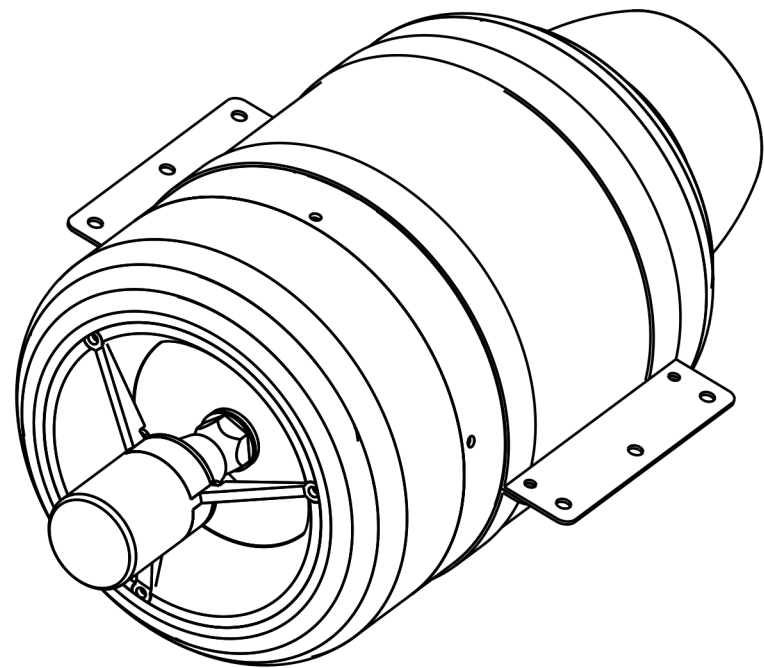
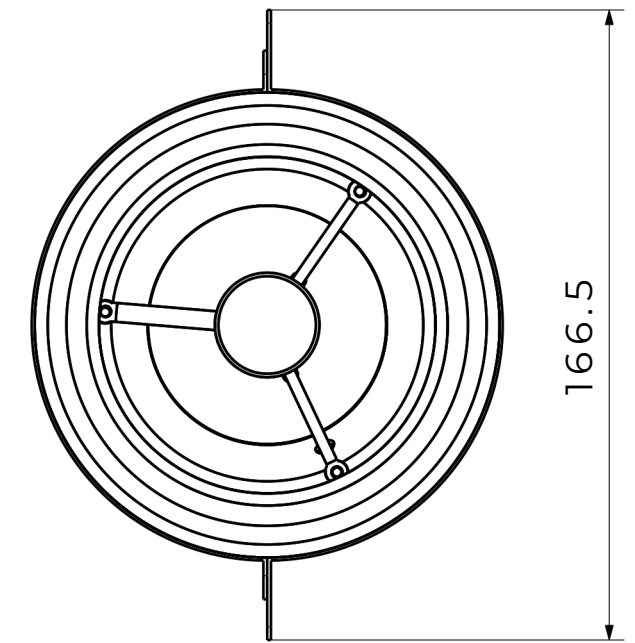
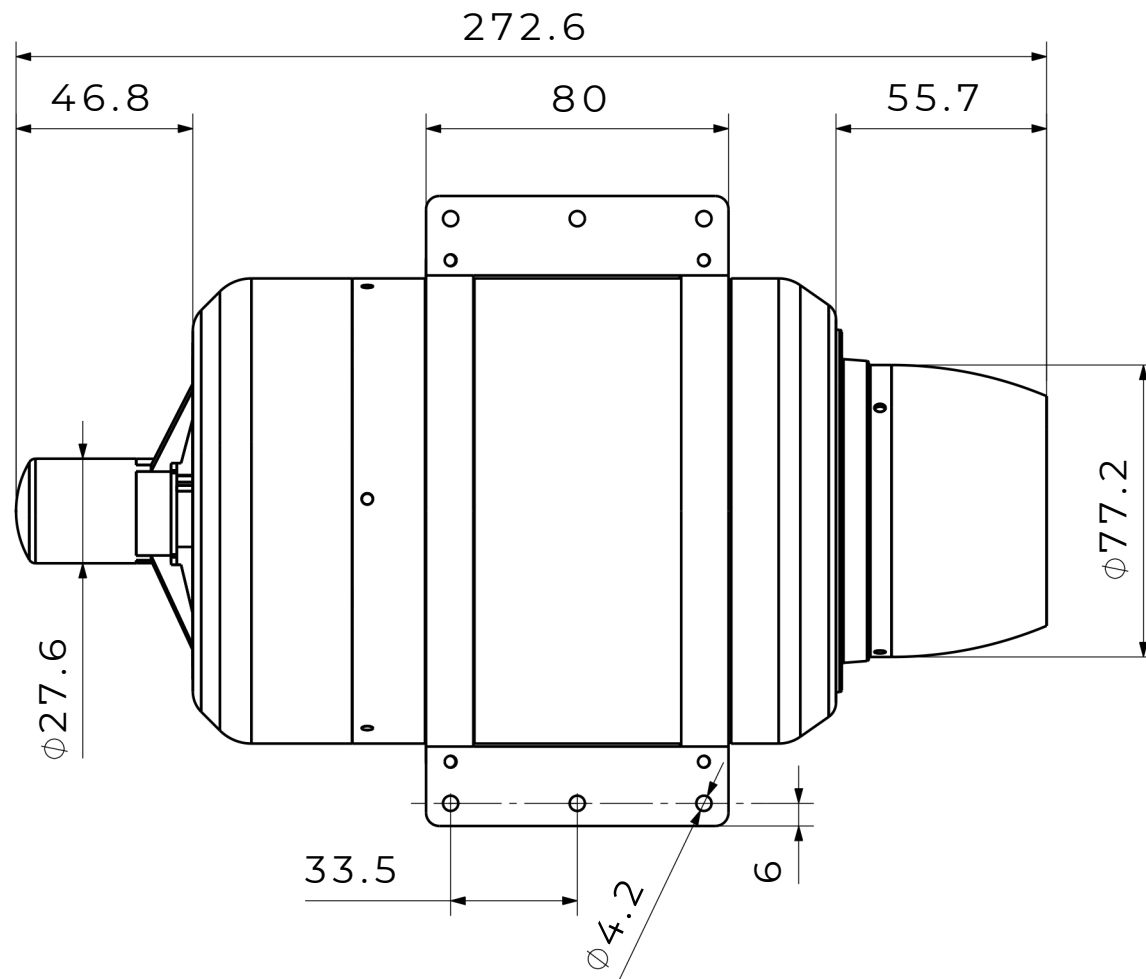
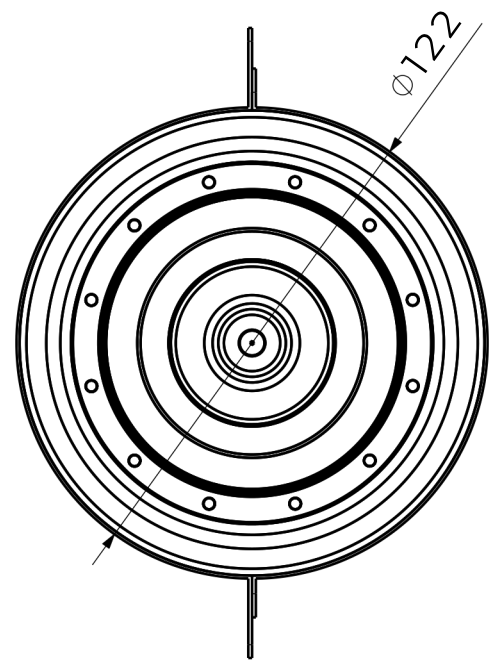
1

4

3

2

1



		<h1>Assembly projections</h1>	
SIZE A3		<h2>M262NG</h2>	
SCALE 1:2	DRAWING NUMBER 1	SHEET 1/1	

This drawing is our property; it can't be reproduced or communicated without our written agreement.

H G F E D C B A