

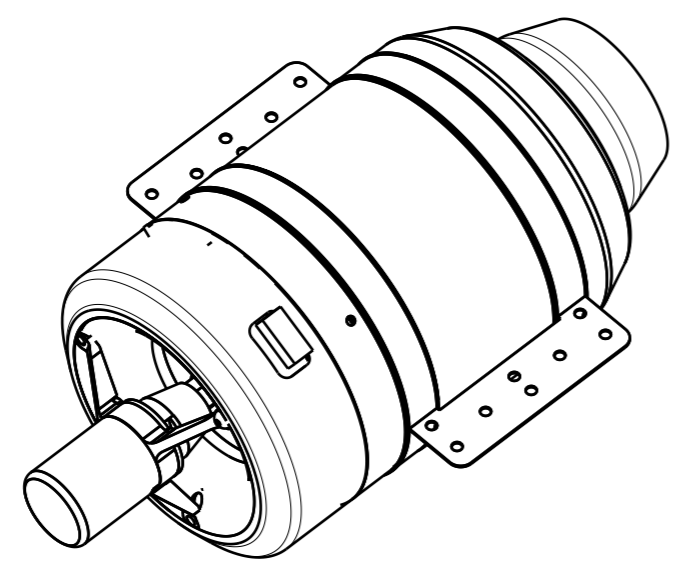
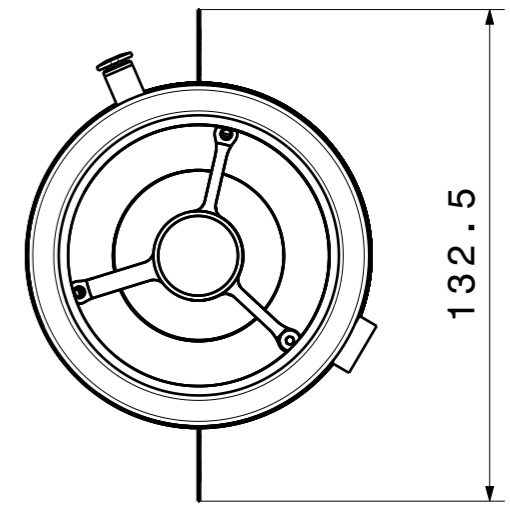
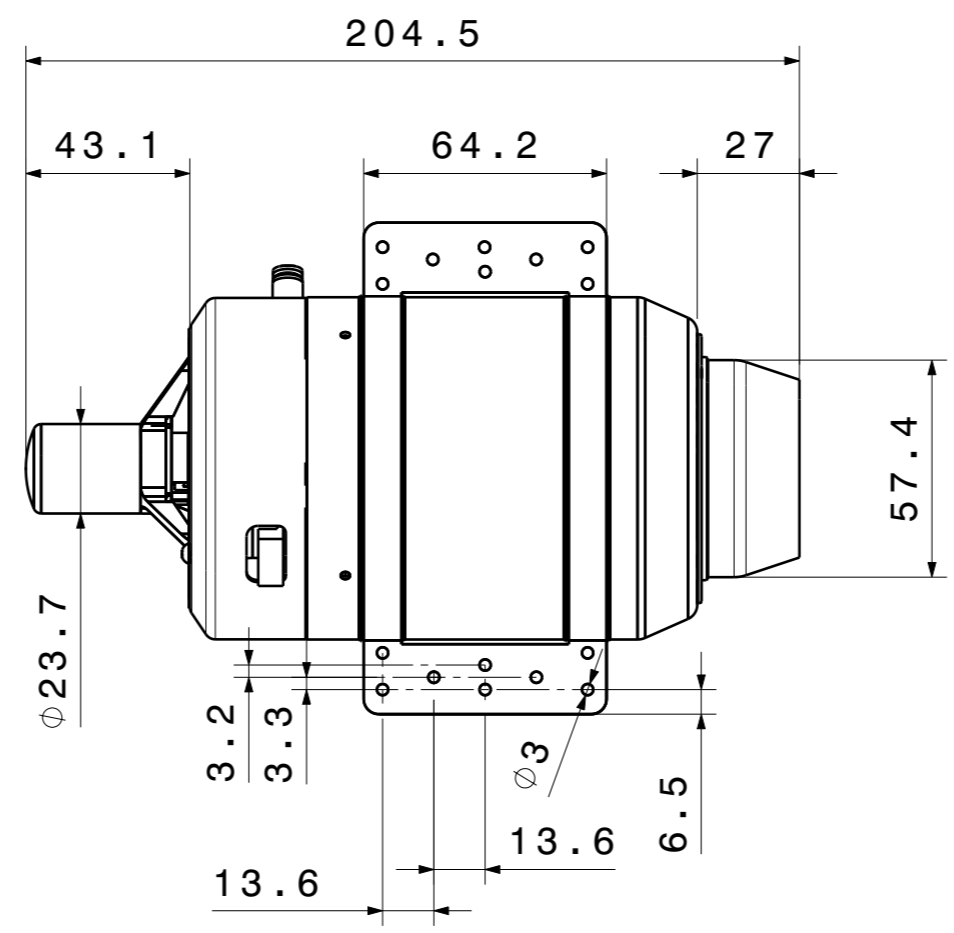
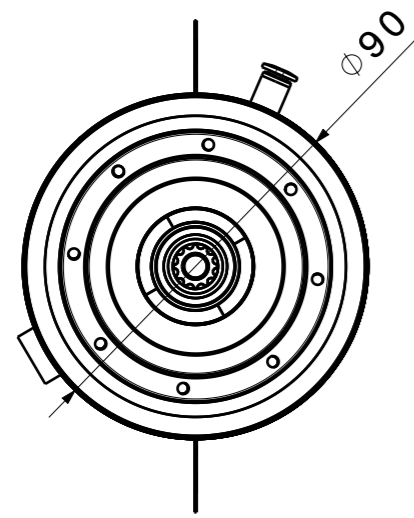
H G F E D C B A

4

3

2

1



4

3

2

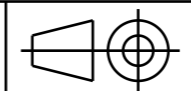
1

H G F E D C B A

Assembly projections

SIZE

A3



VT98NG

SCALE

1:2

DRAWING NUMBER

1

SHEET

1/1



This drawing is our property; it can't be reproduced or communicated without our written agreement.