

H G F E D C B A

4

3

2

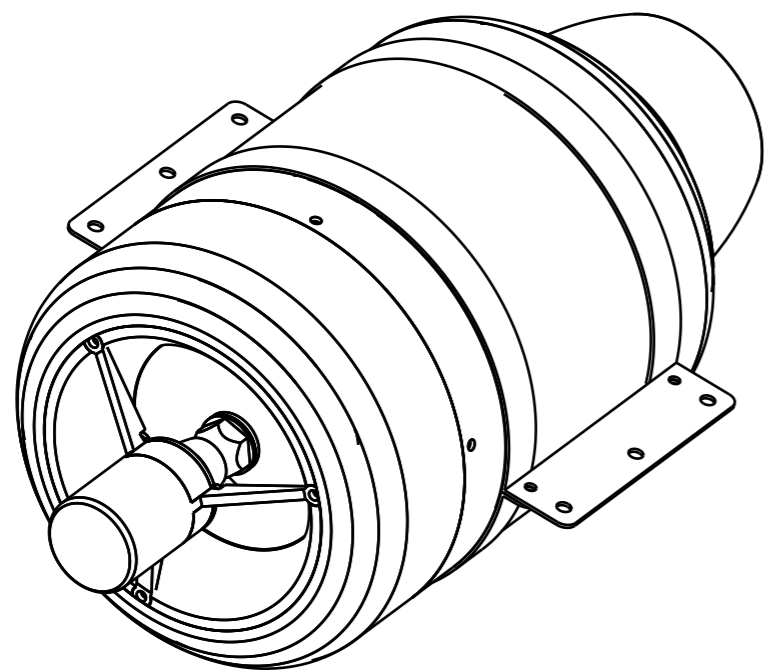
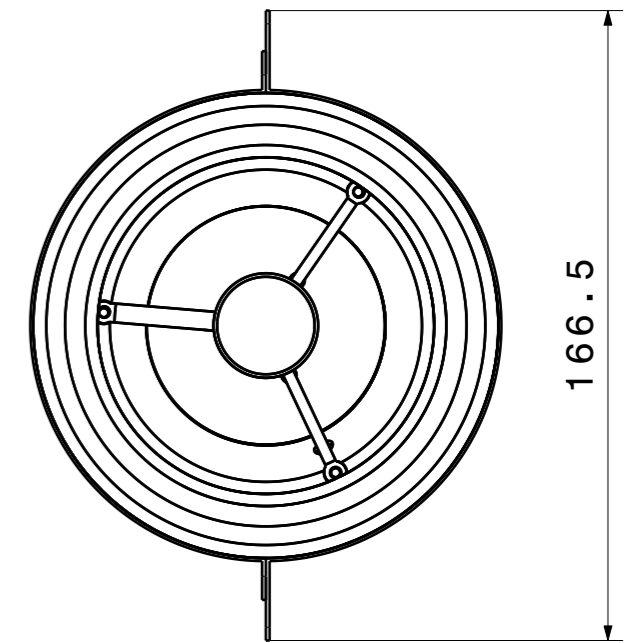
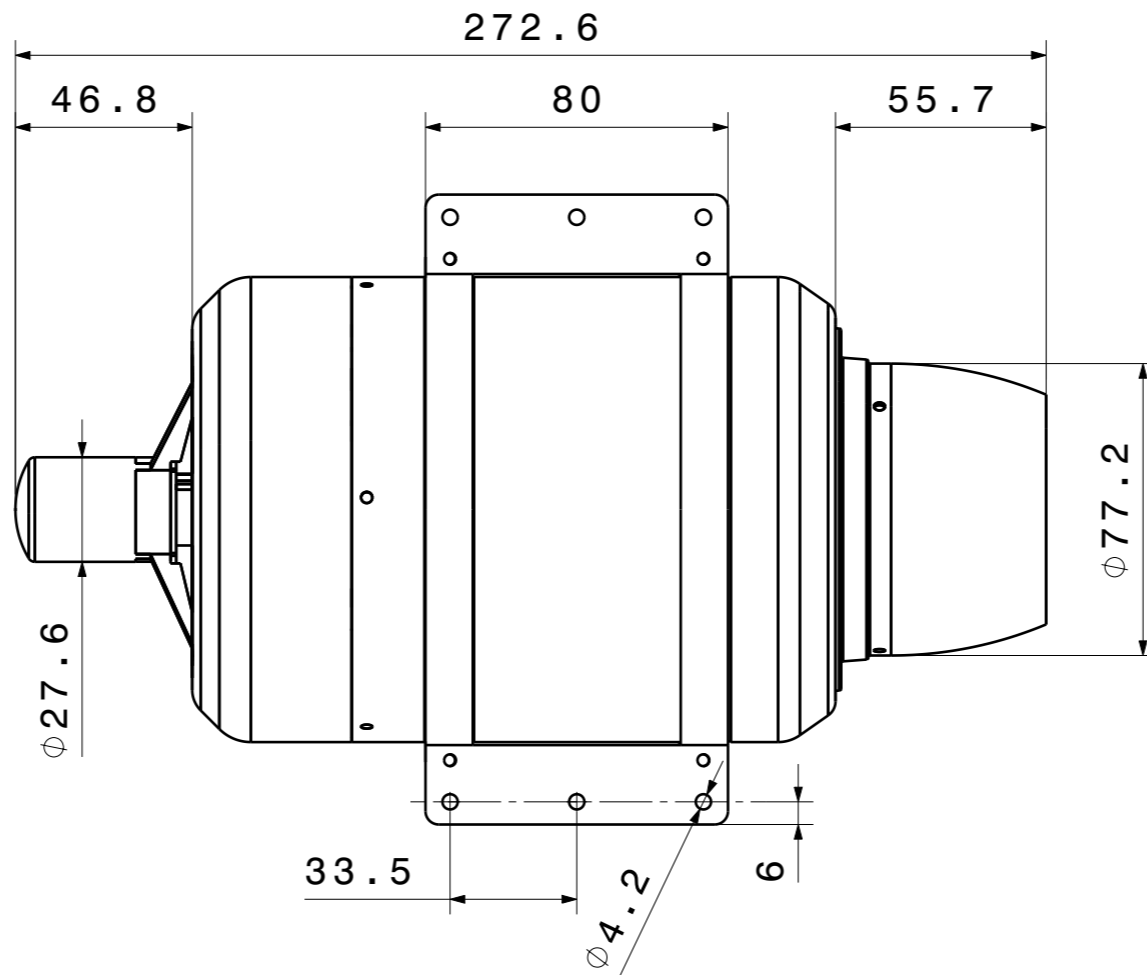
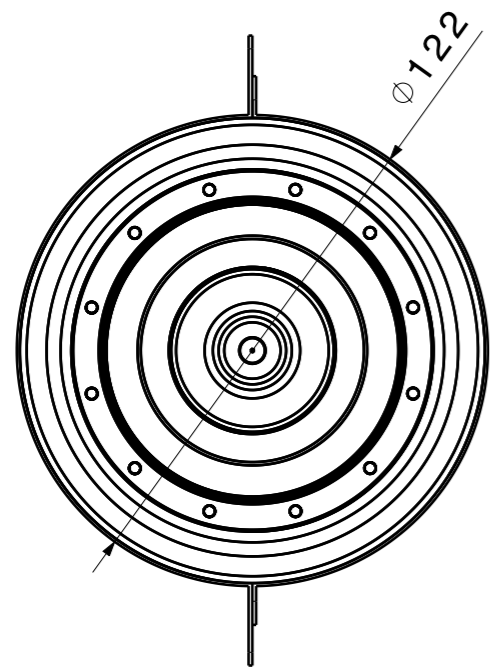
1

4

3

2

1



		Assembly projections	
SIZE	A3	M250XBL	
SCALE	1:2	DRAWING NUMBER	SHEET
		1	1/1



This drawing is our property; it can't be reproduced or communicated without our written agreement.

H G F E D C B A